

The repair instructions describe replacing the

- sunshade frame

in the *Easy Sun* PARASOL Hanging sunshade.

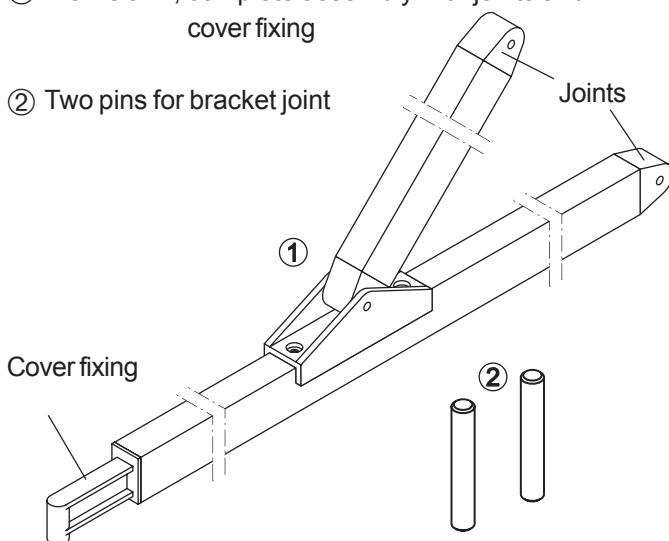
These repair instructions are intended only for persons with experience of using the tools required.

Please read the instructions carefully through before working. Damages caused by non-observance of the instructions are excluded from any liability and guarantee

Included in delivery

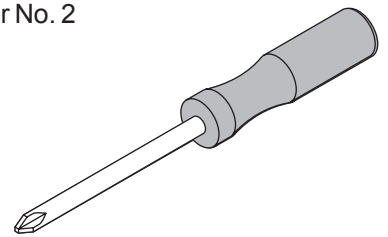
- ① Frame arm; complete assembly with joints and cover fixing

- ② Two pins for bracket joint



Tools required

- ☐ Phillips screwdriver No. 2



Safety note



Caution: Risk of trapping!

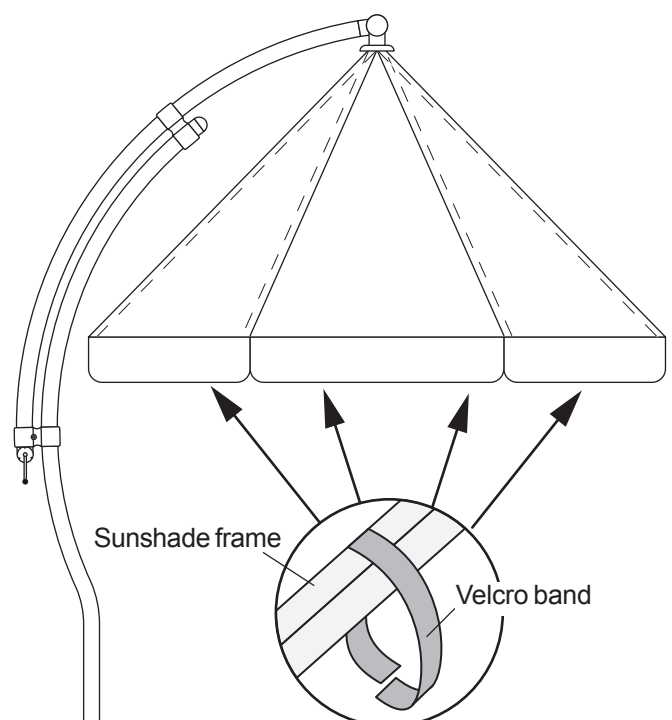
There is a high risk of trapping at all sunshade frame joints.

- Observe these risk areas during work.

Installation

1.0 Removing sunshade cover

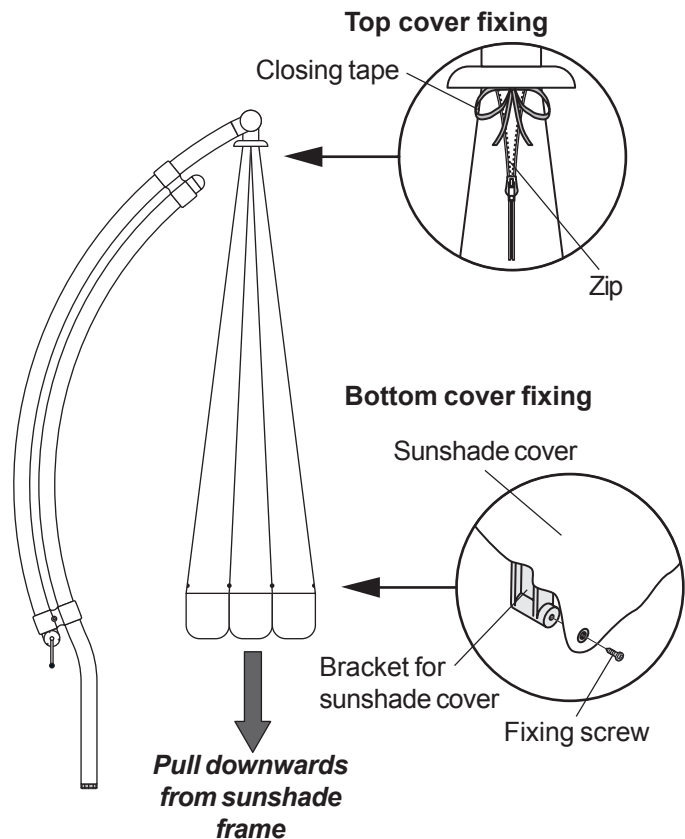
- Open the sunshade about half-way.
- Release all material velcro bands on the sunshade frame from the inside.



REPAIR INSTRUCTIONS:

FRAME ARM

- Close sunshade and remove all screws in the sunshade cover bottom fixing with a Phillips screwdriver.
- Open zip and closing tape in top cover fixing and remove cover downwards from sunshade frame.

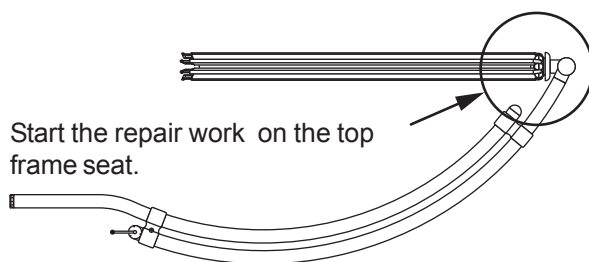


2.0 Replacing defective sunshade frame bracket:

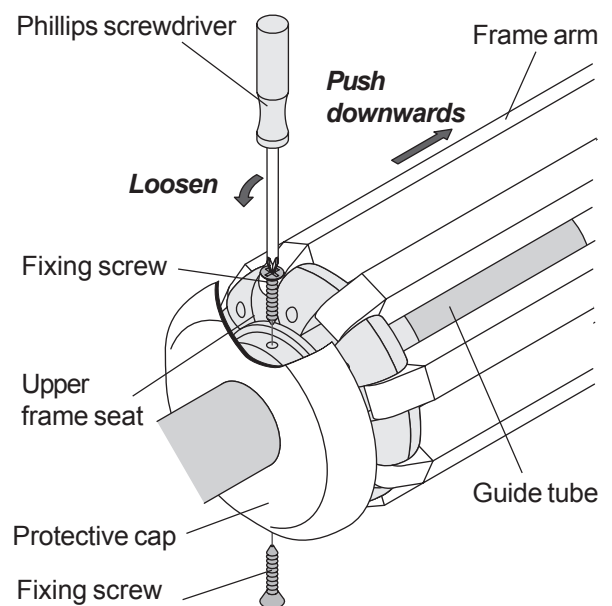


Note

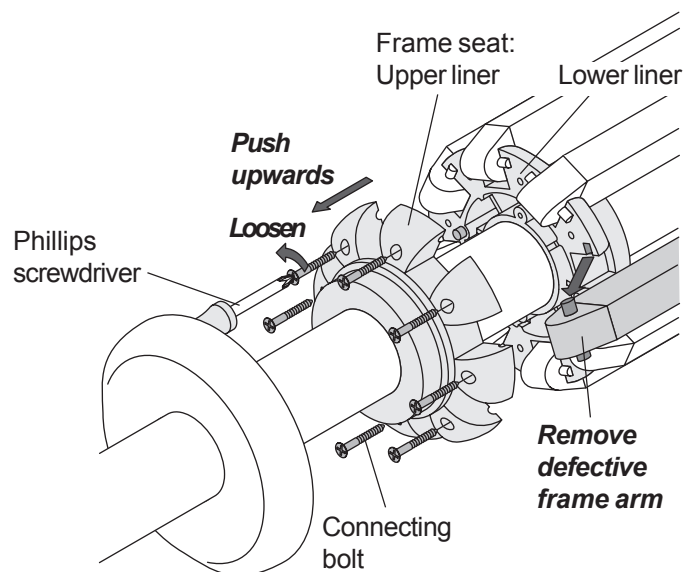
To continue repair work lay sunshade on floor. To protect sunshade against damage you should place it on a suitable underlay (cardboard, carpet roll etc.).



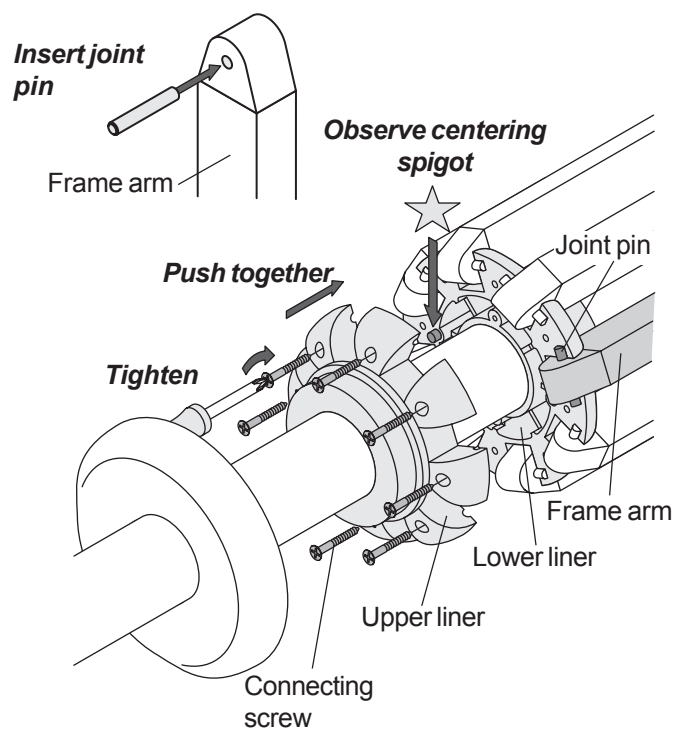
- Loosen the side fixing screws between the protective cap and upper frame seat with a Phillips screwdriver.
- Push the frame seat as far down the guide tube as possible.



- ⇨ Unscrew frame seat connecting screws with Phillips screwdriver.
- ⇨ Push the uframe seat upper liner upwards.
- ⇨ Remove defective frame arm.



- ⇨ Insert joint pin in upper leg of new frame arm.
- ⇨ Insert the prepared frame arm in the frame seat lower liner.
- ⇨ Push upper liner onto lower liner. When doing this, ensure that:
 1. The centering spigot engages in the corresponding holes
 2. All joint pins are seated exactly in the frame seat recesses
 3. No gap is formed between upper and lower liner on frame seat
- ⇨ Screw in frame seat connecting screws with the Phillips screwdriver. Check correct all frame arm seatings often while tightening.



REPAIR INSTRUCTIONS:

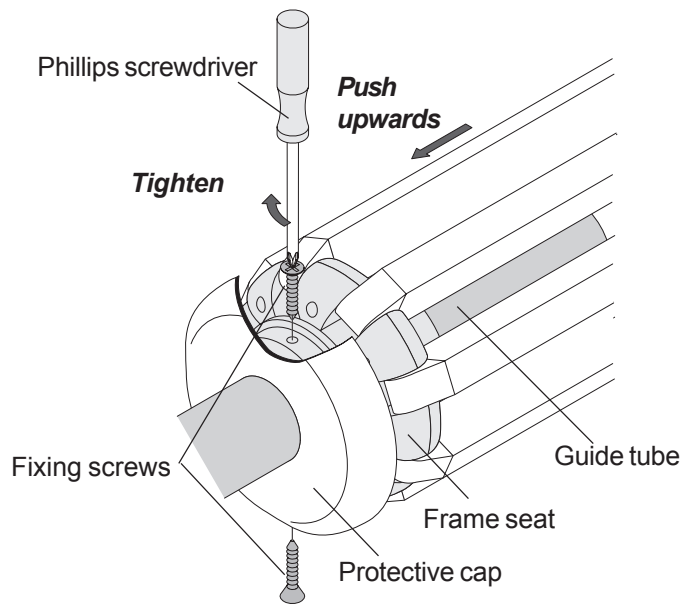
FRAME ARM

- Push frame seat upwards until the drill holes for side fixing screws are above one another.
- Screw in the side fixing screws between protective cap and upper frame seat with Phillips screwdriver.

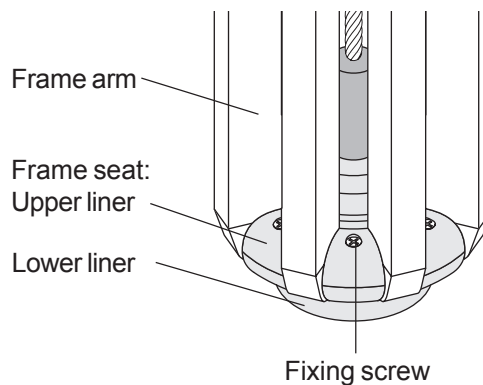


Note

- When screwing in the fixing screws, ensure that the drill holes do not slip.
- Overtightening of the fixing screws leads to destruction of the guide tube.



Fixing of the frame arm to the lower frame seat is carried out in a similar way to the upper frame seat described above. There is no need to loosen the side fixing screws.

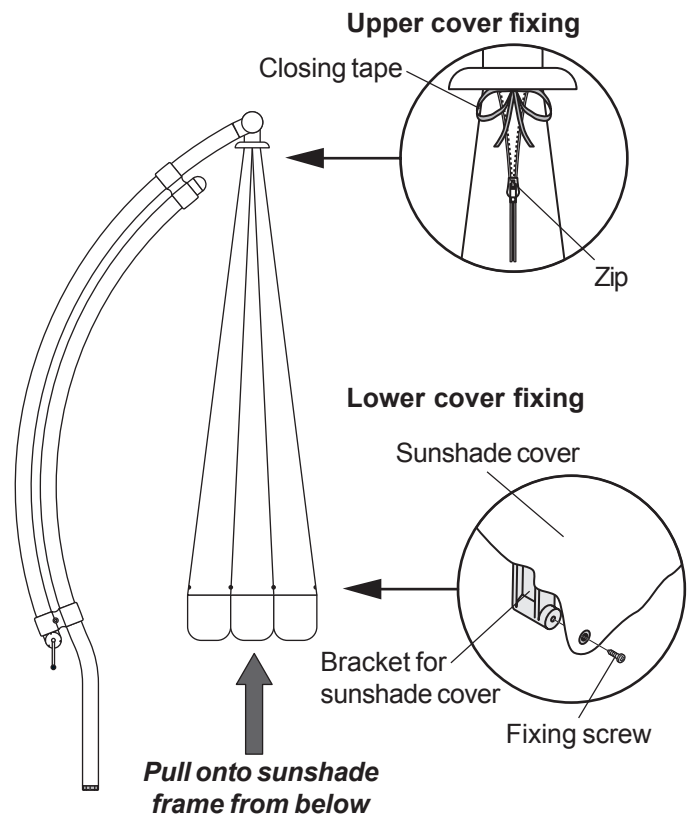


Note

Before refitting the sunshade cover place the sunshade in the sunshade stand. Use a ladder to refit the cover.

3.0 Fitting the sunshade cover

- Push the sunshade cover onto the sunshade frame from below.
- Close the closing tape and zip on the upper cover fixing.
- Screw in all screws on the lower cover fixing.



- Open the sunshade about half-way and fix all velcro bands to the sunshade frame.

