

The repair instructions describe replacing the

- seat for the sunshade frame

in the *Easy Sun* PARASOL Hanging sunshade.

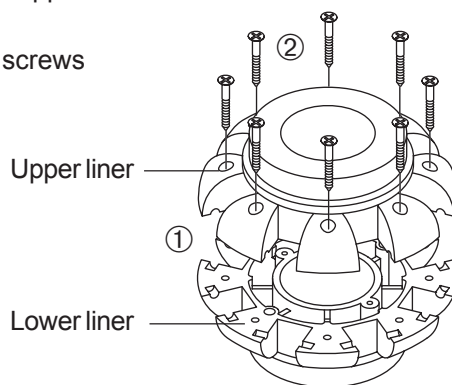
These repair instructions are intended only for persons with experience of using the tools required.

Please read the instructions carefully through before working. Damages caused by non-observance of the instructions are excluded from any liability and guarantee. The repairs described below should be carried out by two people.

Included in delivery

- ① Sunshade frame seat; consisting of upper and lower liner

- ② Eight fixing screws



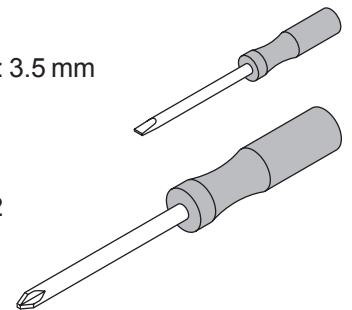
- ③ Cover for cable seat



Tools required

- ☐ Screwdriver; blade width: 3.5 mm

- ☐ Phillips screwdriver No. 2



Safety note



Caution: Risk of trapping!

There is increased risk of trapping at all sunshade frame joints.

- Bear these hazard locations in mind while working.

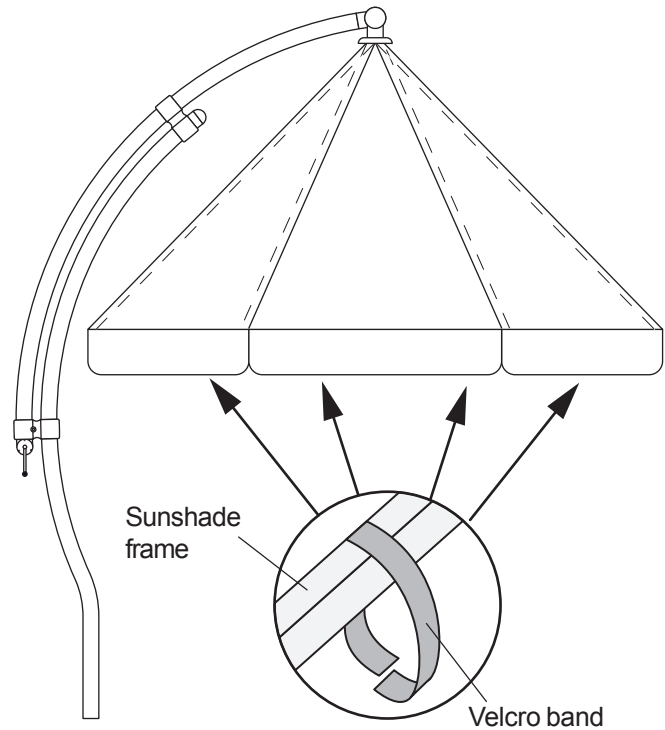
Contents

1.0	Removing the sunshade cover	2
2.0	Releasing the cable	3
3.0	Replacing the lower sunshade frame seat	4
4.0	Replacing the upper sunshade frame seat	5
5.0	Threading and fixing the cable	6
6.0	Refitting the sunshade cover	7

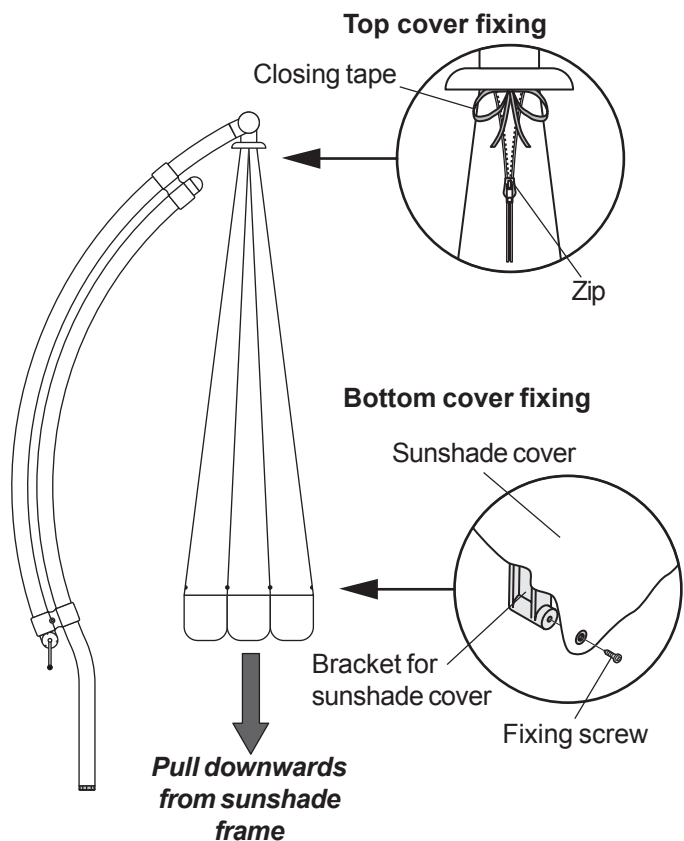
Installation

1.0 Removing sunshade cover

- Open the sunshade about half-way.
- Release all material velcro bands on the sunshade frame from the inside.



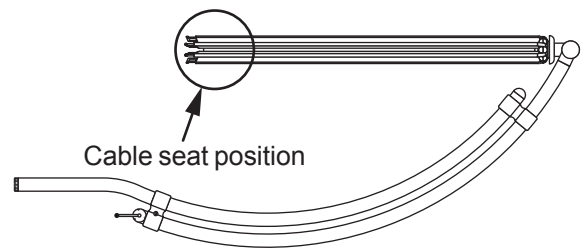
- Close sunshade and remove all screws in the sunshade cover bottom fixing with a Phillips screwdriver.
- Open zip and closing tape in top cover fixing and remove cover downwards from sunshade frame.





Note

To continue repair work lay sunshade on floor.
To protect sunshade against damage you should place it on a suitable underlay (cardboard, carpet roll etc.).



2.0 Releasing the cable

The seat for the cable is located on the lower frame seat.

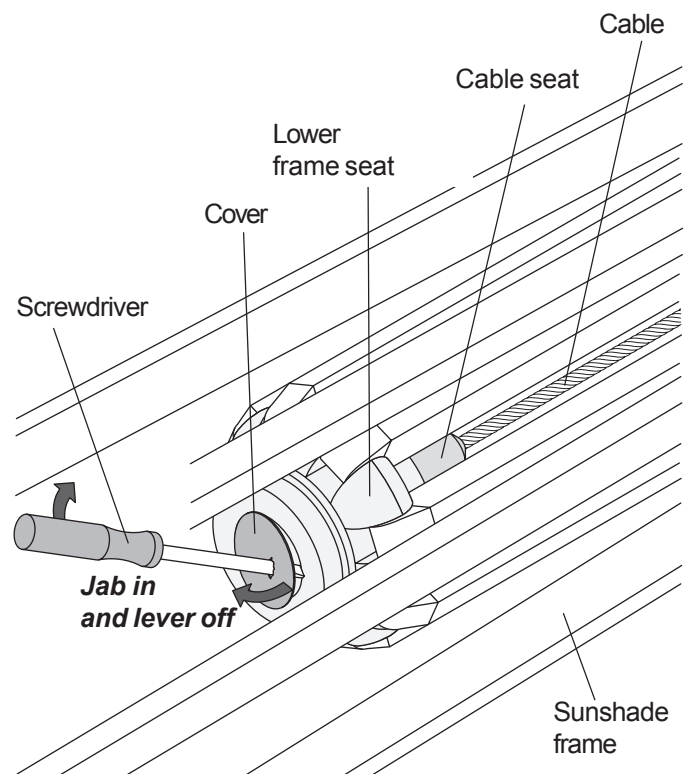
- Jab screwdriver through cable seat cover and lever off.



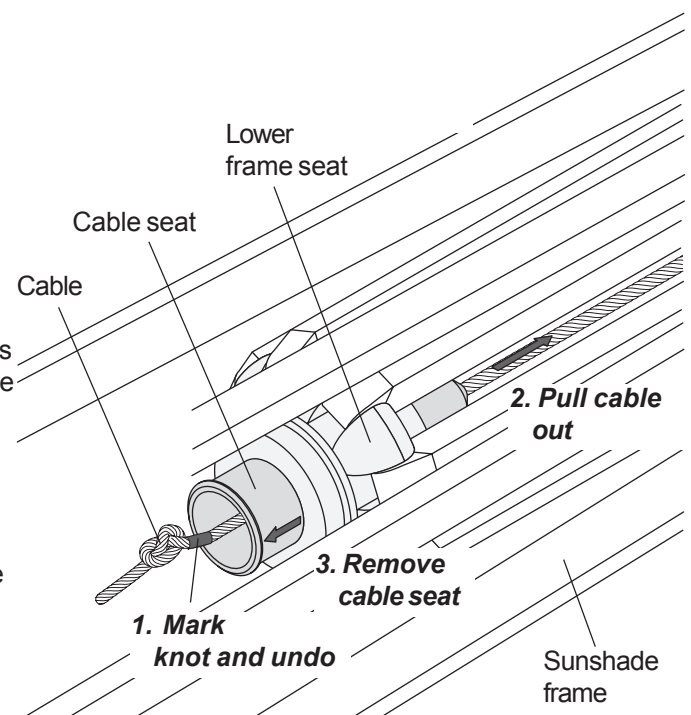
Caution: Risk of injury!

It is very easy to cause injuries with the screwdriver.

- Do not hold any limbs in the way of the screwdriver.

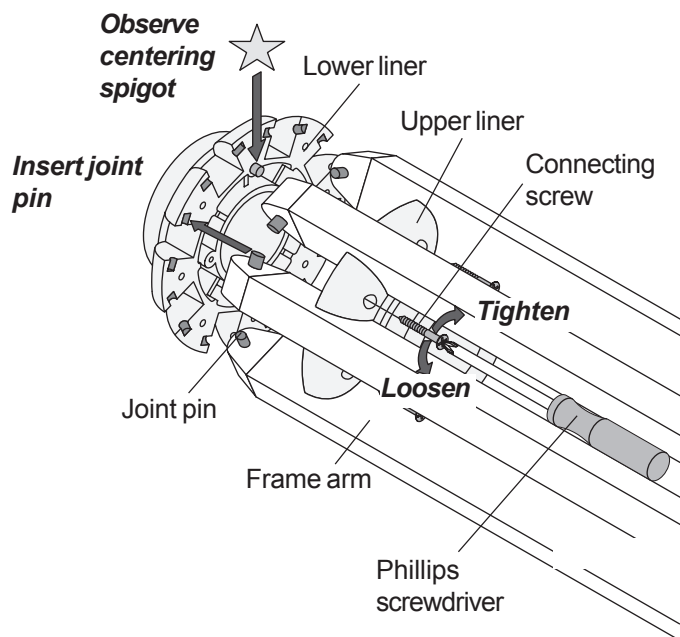
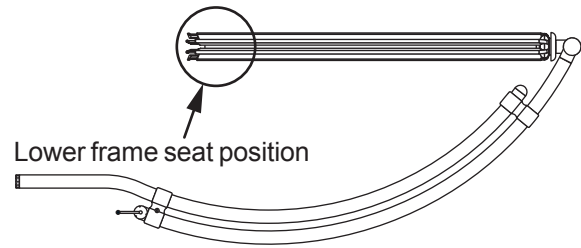


- Remove the cable from the cable seat forwards and mark the position of the knot with adhesive tape.
- Undo the knot and remove the cable from the seat.
- Withdraw the cable seat downwards out of the frame seat.

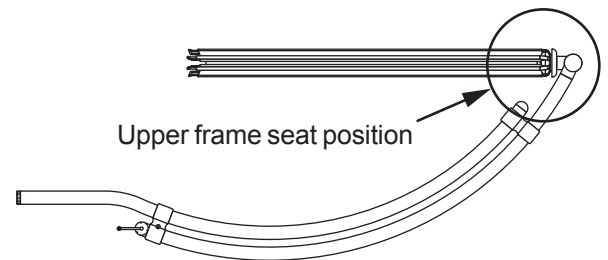


3.0 Replacing the lower sunshade frame seat

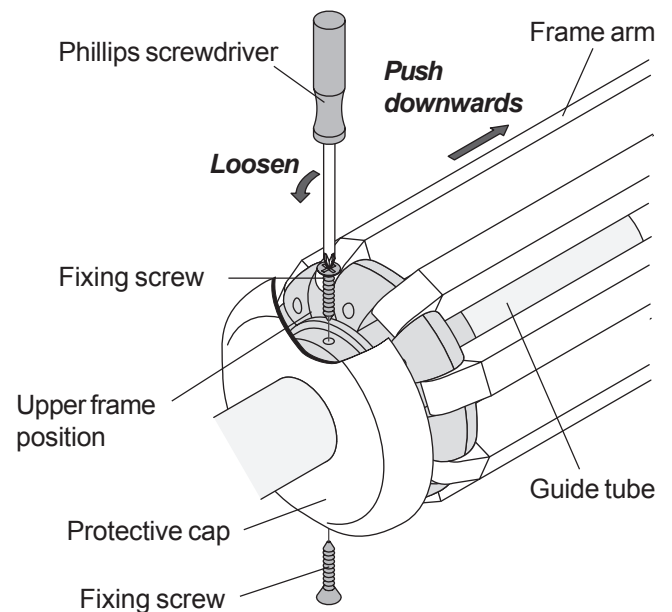
- Screw the connecting screws out from the frame seat with the Phillips screwdriver.
- Remove the upper and lower liners from the defective frame seat.
- Insert the frame arm in the lower liner within the new frame seat.
- Push the upper liner in the lower liner. Ensure that:
 1. the centring spigot engages in the relevant holes.
 2. all joint pins are seated exactly in the frame seat recesses.
 3. no gap is formed between the upper and lower liners.
- Screw the frame seat connecting screws in with the Phillips screwdriver. Check the correct seating of all frame arms regularly while screwing in .
- If replacing the upper frame seat is not necessary, continue the following work from position 5.0.



4.0 Replacing the upper sunshade frame seat

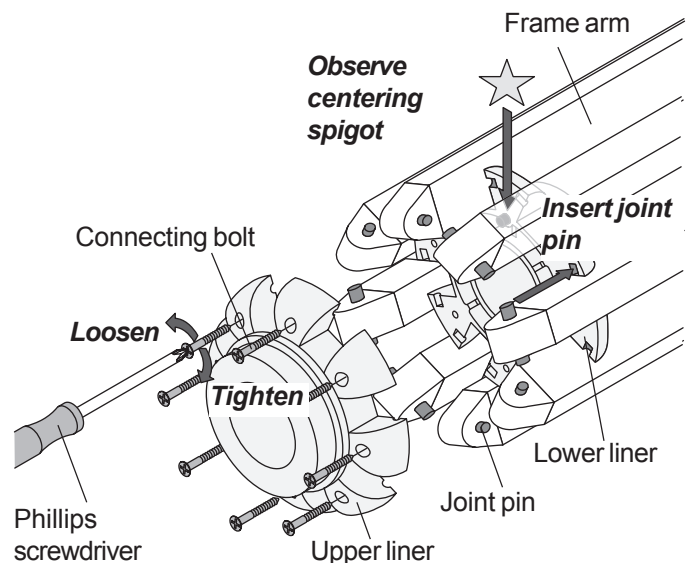


- ◇ Loosen the side fixing screws between the protective cap and upper frame seat with a Phillips screwdriver.
- ◇ Push the complete frame downwards out of the guide tube.



- ◇ Remove upper and lower frame seat liners.
- ◇ Insert the frame arms in the lower liner in the new frame seat.
- ◇ Push upper liner onto lower liner. When doing this, ensure that:
 1. the centering spigot engages in the corresponding holes
 2. all joint pins are seated exactly in the frame seat recesses.
 3. no gap is formed between upper and lower liner on frame seat

- ◇ Screw in frame seat connecting screws with the Phillips screwdriver. Check correct all frame arm seating often while tightening.

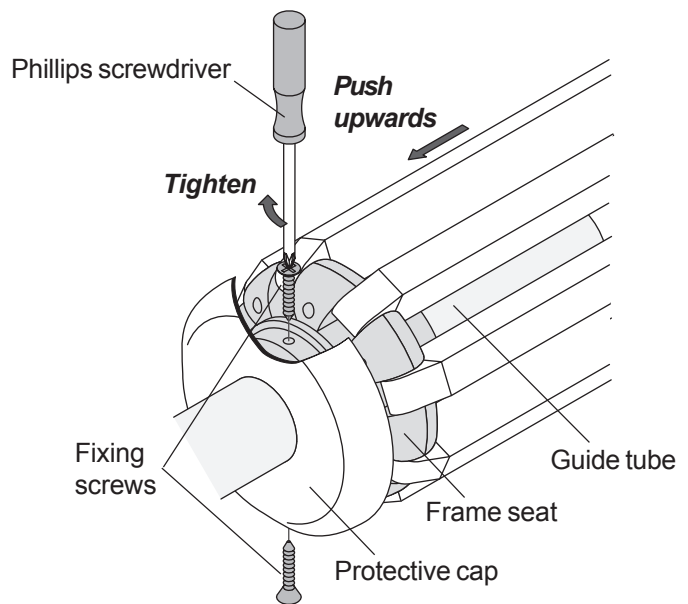


- Push the frame seat over the guide tube and push upwards until the drill holes for the side fixing screws are in line.
- Screw in the side fixing screws between protective cap and upper frame seat with Phillips screwdriver.



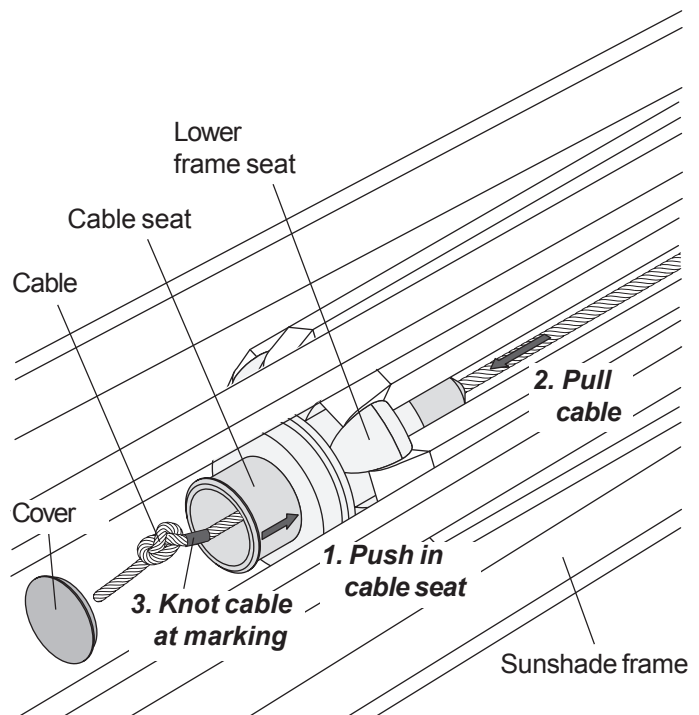
Note

- When screwing in the fixing screws, ensure that the drill holes do not slip.
- Overtightening of the fixing screws leads to destruction of the guide tube.



5.0 Threading and fixing the cable

- Push the cable seat into the frame seat from below.
- Thread the cable in the cable seat.
- Knot the cable at the adhesive tape marking.
- Close off the opening for the cable seat by pushing in the cover.



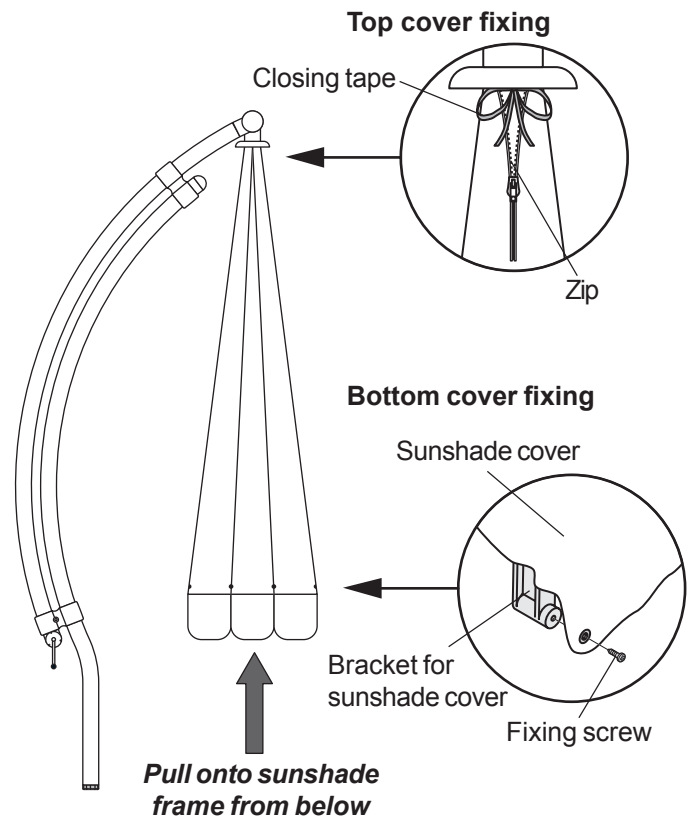
6.0 Refitting the sunshade cover



Note

Before refitting the sunshade cover place the sunshade in the sunshade stand. Use a ladder to refit the cover.

- Push the sunshade cover onto the sunshade frame from below.
- Close the closing tape and zip in the upper cover fixing.
- Screw in all screws on the lower cover fixing.



- Open the sunshade about half-way and fix all velcro bands to the sunshade frame.

